

# BGDSHS STATIONARY DOCK SHELTER

## FEATURES AND SPECIFICATIONS

Designed to accommodate 10.5' x 10.5' (3.2m x 3.2m) door openings, the BGDSHS is engineered to accommodate larger doorways and docks that serve a bigger variety of trailer types and sizes. It provides full access to the rear of the trailer while fitting snugly around the top and sides. Cross-docking traffic is protected from weather conditions, adding an extra degree of safety to the process.

Standard units seal trailers 12' to 13.5' (3.7m to 4.1m) high on a typical 4' (1.2m) dock height.

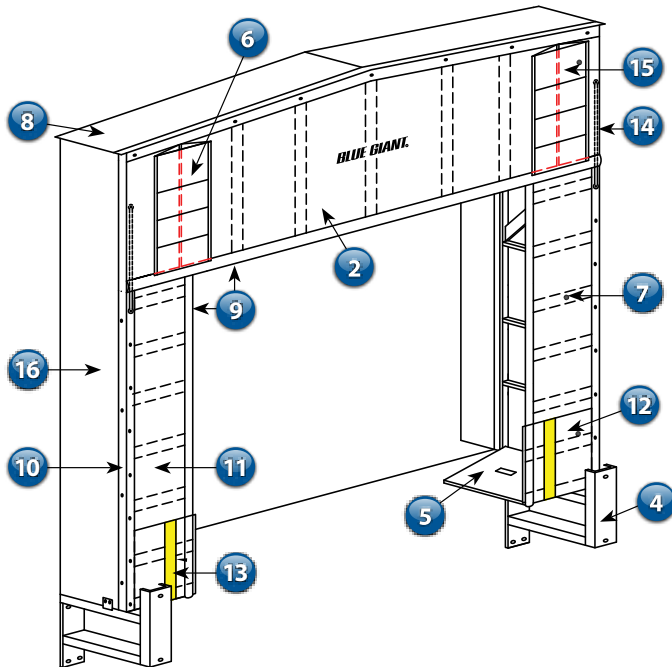
### STANDARD FEATURES:

- 24" (610mm) projection
- 22 oz. Hi-Tear vinyl base fabric
- Durable head unit measuring 138" (3.5m) wide, with a 24" (610mm) projection and a 36" (914mm) drop curtain
- Protective wear flaps on head curtain
- High visibility yellow guide stripe
- Pressure-treated lumber framing
- Peaked header frame to divert water from dock floor
- Galvanized mounting hardware

For maximum value and performance, the BGDSHS can be constructed from our premium durability fabrics (see chart for materials, weights, and available colors).

### ADDITIONAL OPTIONS INCLUDE:

- Painted steel frame
- Galvanized steel frame
- Additional drop in head curtain
- Additional width on side curtains
- Gussets in head curtain



BGDSHS Stationary Dock Shelter

### FABRIC AND COLOR SELECTION:

22oz Hi-Tear Vinyl	■	■	■	■
32oz Hi-Tear Vinyl	■			
40oz Hi-Tear Vinyl	■	■	■	■
50oz Hi-Tear Vinyl	■			
16oz Hi-Performance Hypalon	■			
40oz Hi-Performance Hypalon	■			

No.	DESCRIPTION
1	Wood head frame (pressure treated)†
2	Head curtain
3	Wood side frame (pressure treated)†
4	Steel guard
5	Bottom draft pad
6	Protective flaps
7	Stays
8	Fiberglass sheeting (top and sides)
9	Foam filled edge stiffener
10	Galvanized trim angle
11	Side curtain
12	Double layer of fabric x 24" (610mm) high*
13	4" x 24" (102mm x 610mm) yellow guide stripe
14	Wind strap
15	Gussets*
16	White vinyl sides

\*Some items displayed may be optional  
† Not shown on drawing

**BLUE GIANT**  
BLUE GIANT EQUIPMENT CORPORATION

**Corporate** 85 Heart Lake Road South  
Brampton, ON, Canada L6W 3K2  
t 905.457.3900 f 905.457.2313

**USA** 6350 Burnt Poplar Road  
Greensboro, NC 27409  
[www.BlueGiant.com](http://www.BlueGiant.com)

Blue Giant offers a full line of dock levelers, dock safety equipment, seals and shelters, accessories, ergonomic and scissor lift equipment and industrial trucks. Concurrent with our continuing product improvement program, specifications are subject to change without notice. Please contact Blue Giant for latest information. Some features illustrated may be optional in certain market areas.